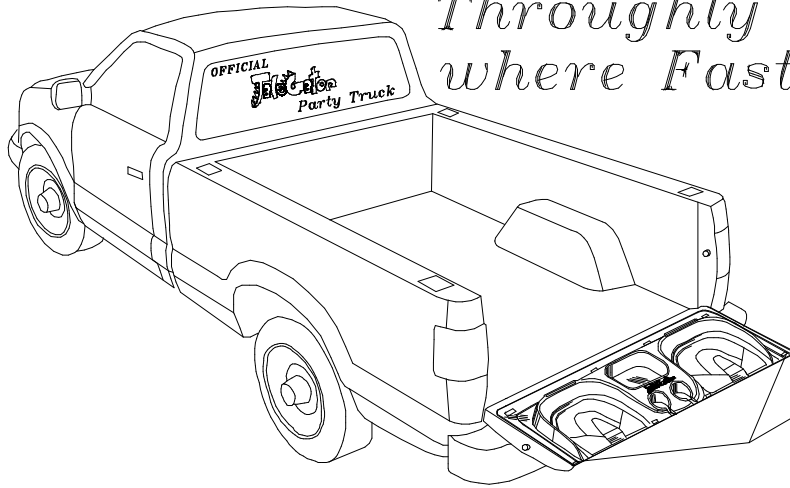


(WARNING: NOT FOR USE WHILE VEHICLE IS IN MOTION)

TaleGator[®] Assembly Instructions

Fig 1

*For Adhesive Fastener Option
Thoroughly Clean all areas
where Fastener is being applied*



www.TheTalegator.com

TWO FIRST ATTACHMENTS

- 1) Lay the TaleGator on your truck's tailgate. If it hangs over, you may need to trim. For standard fullsize trucks, trimming is usually not necessary. For small, midsize, or flare side trucks, trim as shown in Fig. 2.
- 2) For trimming, flip TaleGator over on the front side and select the correct trim line from FIG 2. Score the plastic with a utility knife and snap the excess outside material off the Talegator.
- 3) Once the TaleGator is trimmed, center the TaleGator on your truck's tailgate, making sure the the front (hinge) edge is not hanging over or you may have difficulty closing your tailgate.
- 4) Flip the TaleGator to back side and attach the loop adhesive fastener strips as recommended
Note: loop is the soft side of the fastener: hook is the hard side of the fastener. See Fig 2
- 5) Put the hook back adhesive together with the strips that have been attached to the TaleGator
Do not remove the protective film on the adhesive fastener yet
- 6) Begin attaching the Talegator by peeling the protective tape on the 2 outside areas as shown in Fig 1, and check to make sure that the truck tailgate closes easily.
- 7) Once the TaleGator has been properly positioned, remove the remaining protective film from each fastener and press firmly over each adhesive fastener until installation is complete.
- 8) Please remember to remove the TaleGator whenever the vehicle is in motion. Tip: Sliding a smooth object such as a credit card between the hook and loop eases removal and protects the adhesive.

Congratulations, you are now ready to enjoy this unique and comfortable seating that goes wherever you go!

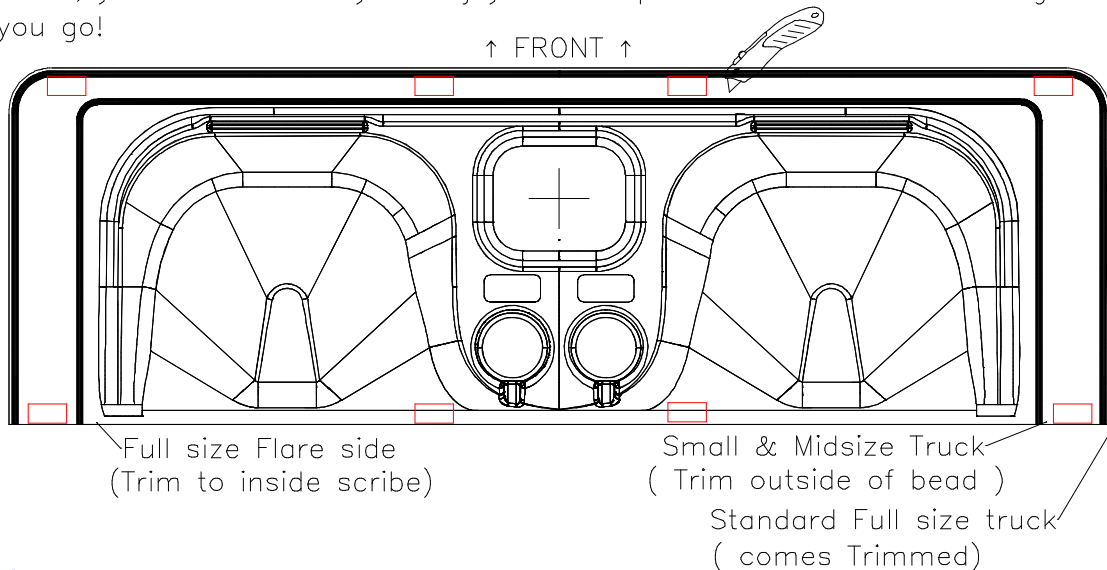


Fig 2

Adhesive Fastener approx location 8 places as shown

Full size Flare side
(Trim to inside scribe)

Small & Midsize Truck
(Trim outside of bead)

Standard Full size truck
(comes Trimmed)